

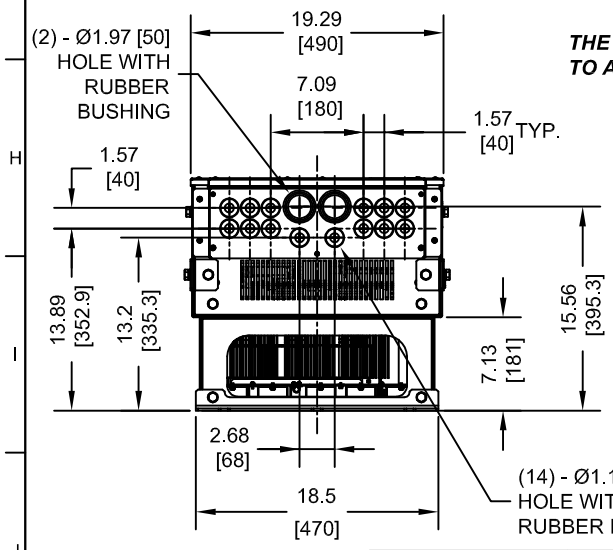
NOTE:
SPREADER BAR REQUIRED TO AVOID DAMAGE DURING LIFTING

THE DIMENSIONS SHOWN ARE FOR AN IP00 OPEN TYPE DRIVE THAT HAS BEEN CONVERTED TO A NEMA TYPE 1 DRIVE BY ADDING THE PARTS FROM NEMA 1 KIT PART NUMBER EZZ022745E

MODEL # CIMR-ZU	VOLTAGE 3-PHASE (VAC)	OUTPUT CURRENT (A)	WEIGHT LBS (Kg)	WEIGHT WITHOUT EMC FILTER LBS (Kg)	HEAT LOSS (W) (Fc=4kHz)		
					INT	EXT	TOT
2□0248□□□	200/240	248	408 (185)	398 (180)	578	3785	4363
4□0216□□□	380/480*	216	408 (185)	398 (180)	587	3720	4307
4□0240□□□		240	408 (185)	398 (180)	600	3897	4497

NOTES:
 □ DENOTES A-Z
 □□ DENOTES AAA-ZZZ
 * - FOR MODELS WITHOUT INTEGRAL EMC FILTER, VOLTAGE RATING IS 380/500.

INT=INTERNAL COMPONENTS
 EXT=EXTERNAL HEATSINK
 TOT=TOTAL

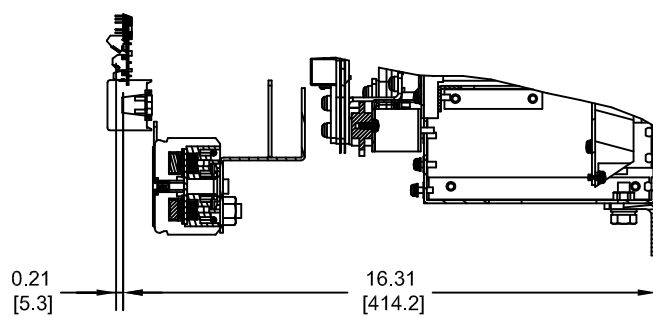
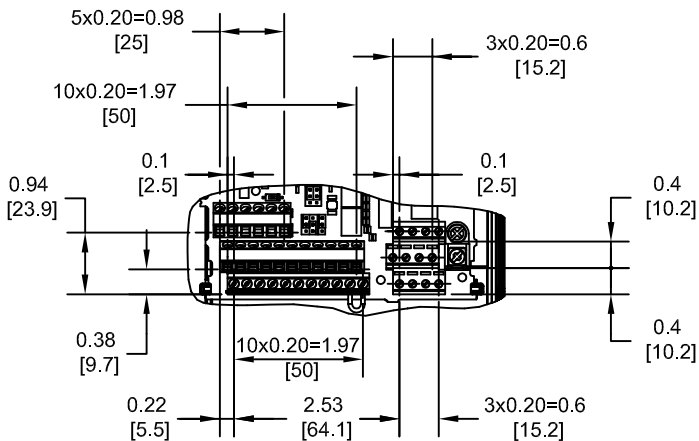
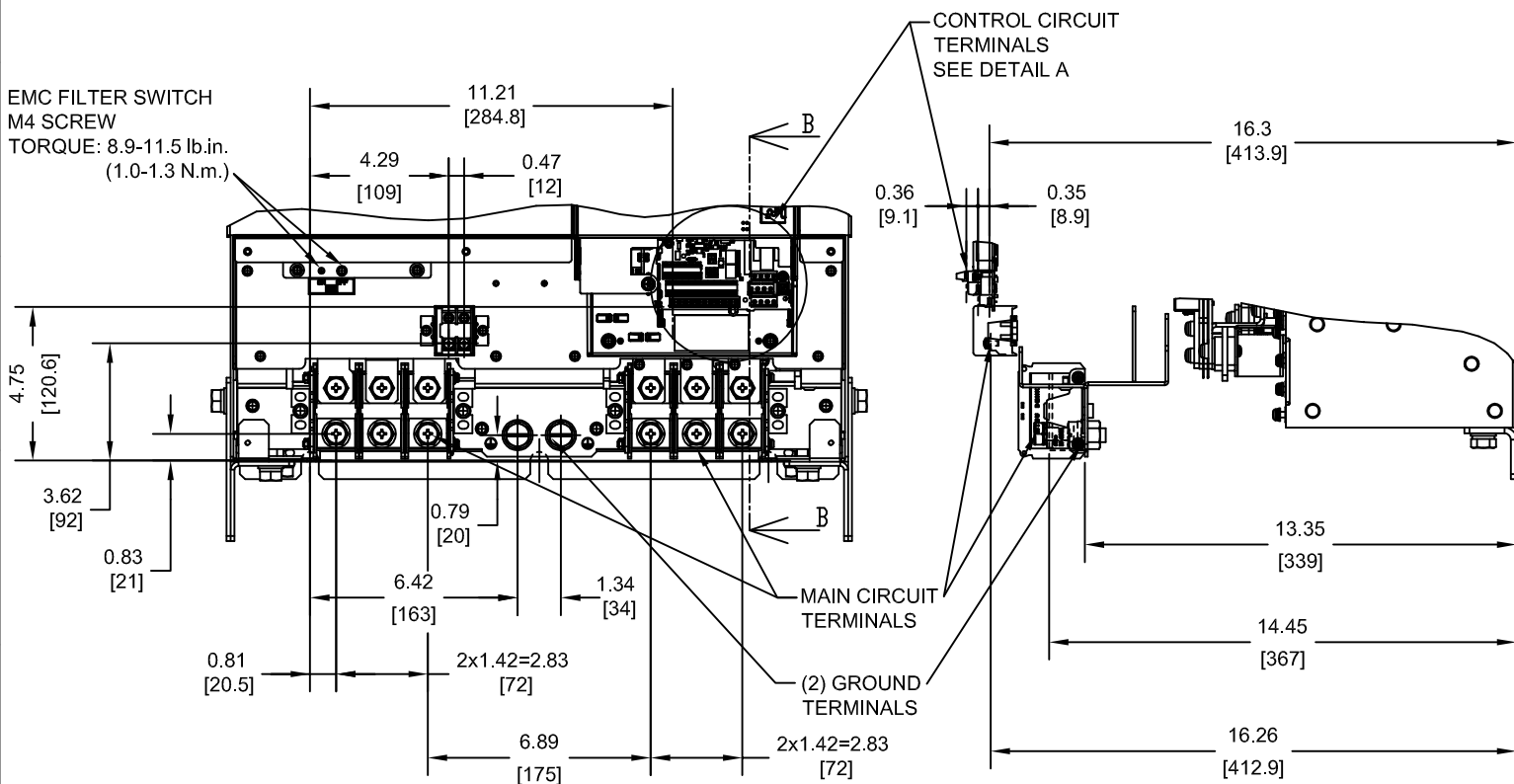


FOR ADDITIONAL DETAILS AND SPECIFICATIONS, CONSULT MANUAL

TOLERANCES / REFERENCES:		<p>THIS DOCUMENT AND INFORMATION CONTAINED IN IT ARE CONFIDENTIAL, AND CANNOT BE COPIED OR DISCLOSED IN WHOLE OR IN PART WITHOUT THE EXPRESS WRITTEN CONSENT OF YASKAWA AMERICA, INC.</p>	DRAWN: J. MATTAS CHECKED: J. PIOTROWSKI TECH: J. BORJA APPROVED: J. CAIRO ORIGINAL DESIGN: -	DATE: 3-18-15 DATE: 3-18-15 DATE: 3-19-15 DATE: 4-30-15 DATE: -	TITLE: Z1000U DIMENSION DRAWING FRAME SIZE 4.5 NEMA TYPE 1 ENCLOSURE 2□0248, 4□0216 AND 4□0240 SIZE: A REVISION: R00 PAGE: 1 of 3
UNITS: IN[mm]	SCALE: 1:15		DRAWING #: DD.Z1KU.FR4.5.N1		

TERMINAL AND WIRING DETAILS (SCALE 1:6)

EMC FILTER SWITCH
M4 SCREW
TORQUE: 8.9-11.5 lb.in.
(1.0-1.3 N.m.)



DETAIL A (SCALE 1:3)
CONTROL CIRCUIT TERMINALS

SECTION B-B

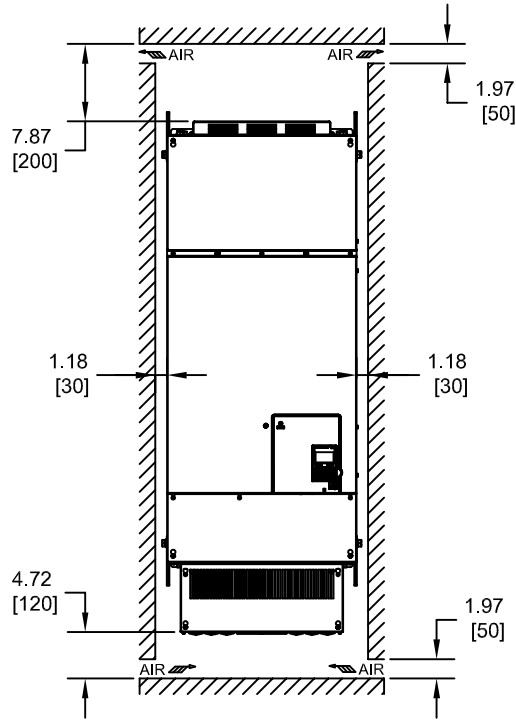
TERMINAL AND WIRE SPECIFICATIONS FOR
MAIN CIRCUIT AND GROUND

MODEL # CIMR-ZU	TERMINAL SYMBOL	TERMINAL SCREW	CLAMPING TORQUE lb.in.(N.m.)	WIRE RANGE AWG(mm ²)
2□0248 4□0216 4□0240	R/L1, S/L2, T/L3	M10	133 TO 177 (15 TO 20)	10 TO 4/0 (6 TO 95)
	U/T1, V/T2, W/T3			
	p1, n1	M4	10.6 TO 17.7 (1.2 TO 2.0)	14 TO 12 (2.5 TO 4)
	⊕	M12	278 TO 347 (31.4 TO 39.2)	4 TO 4/0 (25 TO 95)

NOTE: REFER TO APPLICABLE CODES FOR PROPER WIRE TYPE AND SIZE

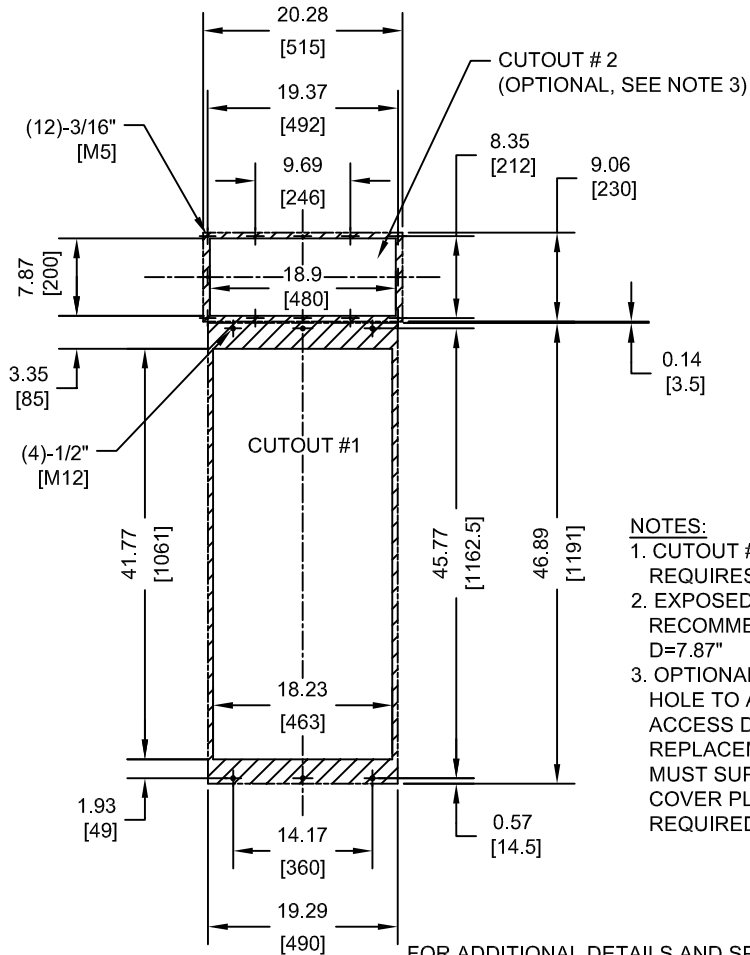
TOLERANCES / REFERENCES:		<p>THIS DOCUMENT AND INFORMATION CONTAINED IN IT ARE CONFIDENTIAL, AND CANNOT BE COPIED OR DISCLOSED IN WHOLE OR IN PART WITHOUT THE EXPRESS WRITTEN CONSENT OF YASKAWA AMERICA, INC.</p>	DRAWN: J. MATTAS CHECKED: J. PIOTROWSKI TECH: J. BORJA APPROVED: J. CAIRO ORIGINAL DESIGN: -	DATE 3-18-15 DATE 3-18-15 DATE 3-19-15 DATE 4-30-15 DATE -	TITLE: Z1000U DIMENSION DRAWING FRAME SIZE 4.5 NEMA TYPE 1 ENCLOSURE 2□0248, 4□0216 AND 4□0240 SIZE: A REVISION: R00 PAGE: 2 of 3 DRAWING #: DD.Z1KU.FR4.5.N1
UNITS: IN[mm]	SCALE: BY VIEW				

MINIMUM INSTALLATION CLEARANCES (SCALE 1:20)



NOTE:
FOR SIDE-BY-SIDE MOUNTING
CONSULT MANUAL

PANEL CUTOUT FOR EXTERNAL HEATSINK
MOUNTING CONFIGURATION (SCALE 1:20)



NOTES:

1. CUTOUT #1: EXTERNAL HEATSINK, REQUIRES MOUNTING KIT
2. EXPOSED HEATSINK RECOMMENDED CLEARANCE D=7.87"
3. OPTIONAL CUTOUT #2 IS AN ACCESS HOLE TO ALLOW FOR FRONT ACCESS DURING HEATSINK COOLING FAN REPLACEMENT. THE PANEL BUILDER MUST SUPPLY THE APPROPRIATE COVER PLATE AND HARDWARE REQUIRED TO CLOSE THIS OPENING.

FOR ADDITIONAL DETAILS AND SPECIFICATIONS, CONSULT MANUAL

TOLERANCES / REFERENCES:			DRAWN: J. MATTAS	DATE: 3-18-15	TITLE: Z1000U DIMENSION DRAWING				
			CHECKED: J. PIOTROWSKI	DATE: 3-18-15	FRAME SIZE 4.5 NEMA TYPE 1 ENCLOSURE				
		THIS DOCUMENT AND INFORMATION CONTAINED IN IT ARE CONFIDENTIAL, AND CANNOT BE COPIED OR DISCLOSED IN WHOLE OR IN PART WITHOUT THE EXPRESS WRITTEN CONSENT OF YASKAWA AMERICA, INC.			TECH: J. BORJA	DATE: 3-19-15	SIZE: A	REVISION: R00	PAGE: 3 of 3
UNITS: IN[mm]	SCALE: BY VIEW	APPROVED: J. CAIRO		DATE: 4-30-15	DRAWING #: DD.Z1KU.FR4.5.N1				
		ORIGINAL DESIGN: -		DATE: -					